



Cabinetmaker Level One Practical Examination

Candidate Information Sheet

1. There is a written and a practical component to the Level One Placement examination process. The written examination must be completed successfully before applying for the practical examination.
2. This examination consists of three areas: accuracy of dimensioning and cutting materials to +/- 1 mm (38%), precision of construction and assembly (43%) and detail of finishing (19%).
3. Only hand tools are to be used for the cutting and assembling of the project. **No power or cordless power tools are permitted.** Candidates will be supplied with the following tools at the examination:

hammer	push drill	assorted chisels
panel saw	brace and assorted bits	assorted screwdrivers
framing square	(16 mm, 25 mm)	jack plane
combination square	sanding block	smooth plane
pocket tape measure	whetstone	block plane
nail sets	countersink bits	rabbet plane

Use of other personal **hand** tools is permitted should a candidate choose to bring them.

4. Lumber materials to complete the project and other required materials such as assorted nails and screws, wood glue and assorted grits of sandpaper will be provided.
5. Six (6) hours will be allotted for the completion of this project. Pre-examination instructions from the Commission representative do not form part of the six hours.
6. A pass mark of 70% is required. There is no retest allowed after the failure of this examination.
7. Cabinetmaker practical examinations are held in Moose Jaw only. Projects will be marked in the absence of candidates.

**Orthographic views of the toolbox project are shown on the reverse of this page.
These views are NOT TO SCALE.**

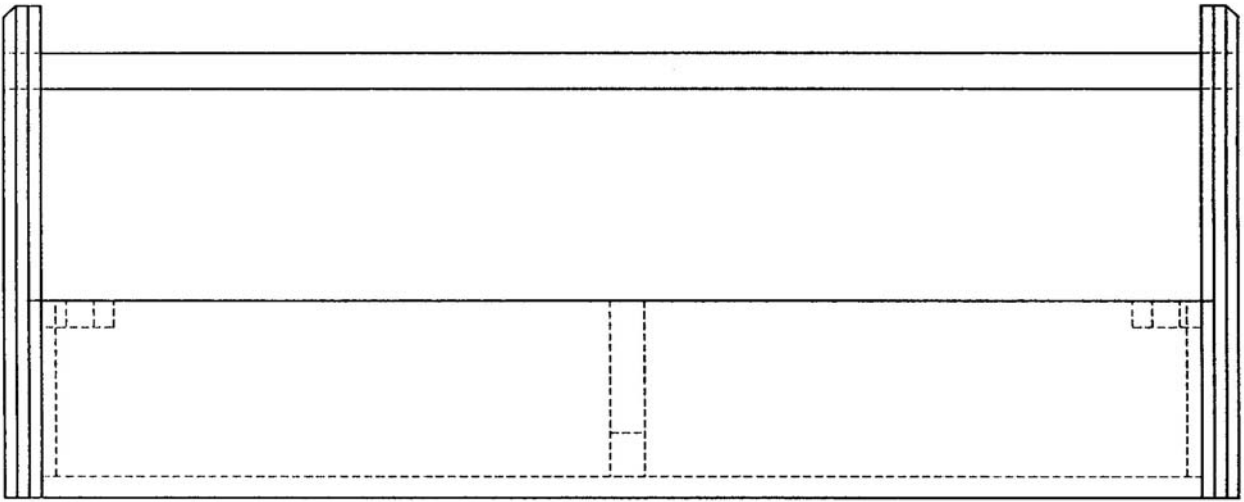
VISIT OUR WEB SITE!

www.saskapprenticeship.ca

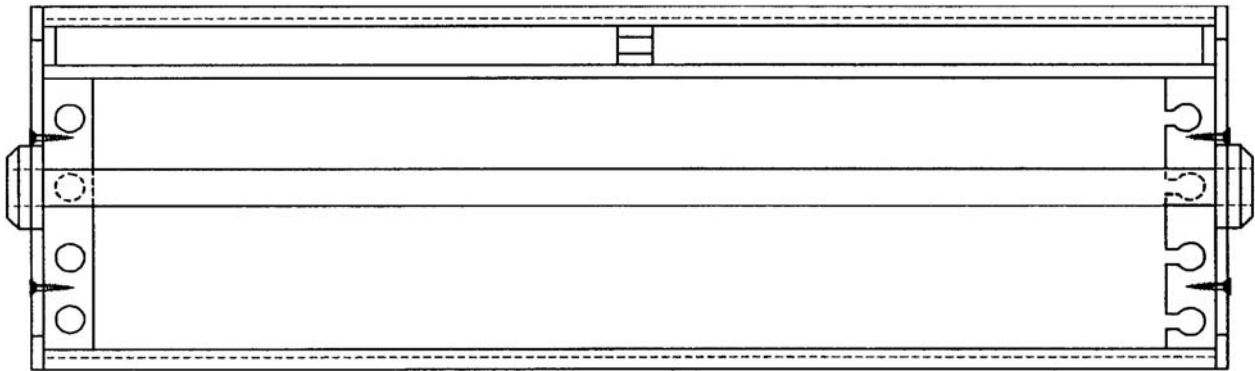
Absolutely no cell phones, communication devices or PDAs are allowed in the examination facility. You will be required to leave immediately if any of these items are found on your person.

Important information regarding calculators – please note that due to increasing security issues, candidates are no longer permitted to bring their own calculators to the exam facility. Instead, we will be supplying each candidate with a calculator. Please refer to the “Forms” section of our web page for further information.

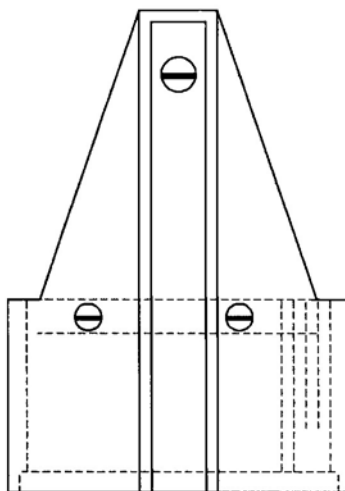
Please note that examinations and study information change frequently. The most recent information is available on our web site at www.saskapprenticeship.ca



Side Elevation



Plan View



End Elevation